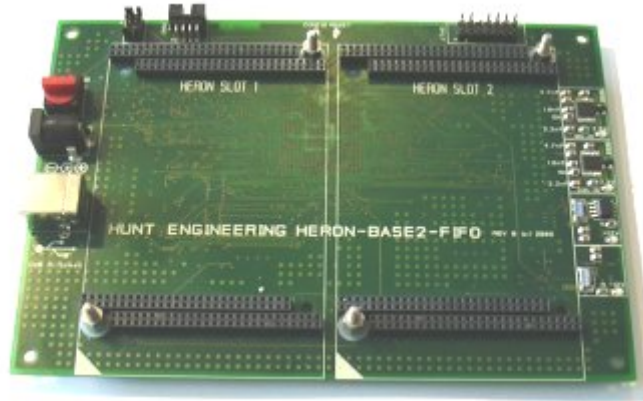




HUNT ENGINEERING
Chestnut Court, Burton Row,
Brent Knoll, Somerset, TA9 4BP, UK
Tel: (+44) (0)1278 760188,
Fax: (+44) (0)1278 760199,
Email: sales@hunteng.co.uk
<http://www.hunteng.co.uk>
<http://www.hunt-dsp.com>



‘one of the many tools we have to help us build your system solution’



HERON-BASE2 – USB based HERON module carrier for up to 2 modules.

- **HERON module carrier with two 3.3V HERON module slots.**
- **Hi Speed (480Mbits/sec) USB 2.0 connection to a host PC.**
- **Can be used as a stand alone board for embedded systems.**
- **Single 5V power supply required – 20W mains PSU included with the HERON-BASE2**
- **HUNT ENGINEERING Host API supported for Windows 2000 and XP and LINUX – FPGA and DSP loading, resetting and data exchange all performed with simple to use software interface.**
- **Multiple boards can be supported on same PC via board ID switch, but no inter-board connection is natively supported.**
- **FIFO connections between module slots and also between each module and USB.**
- **TI Code composer supported for DSP modules via JTAG header and separate emulator board.**

The HERON-BASE2 is a low cost but full featured HERON module carrier. It allows users of one or two HERON modules to connect their system to a PC via USB 2.0. This allows users of laptop as well as desktop computers easy plug and play access to HERON systems.

The USB connection is supported via the HUNT ENGINEERING Host-API software. This allows software applications and tools on the Host PC to access the hardware using a consistent software interface without the need to understand or program the hardware or USB directly. An application written for the PCI based module carriers can easily be re-targeted to the HERON-BASE2 and vice versa.

The USB connection offers access to the HERON system Reset, Heron Serial Bus and separate FIFO connections to each of the modules.

The Heron Serial Bus connection is used to load configuration programs into FPGA modules, and to send/receive configuration messages such as setting register values inside FPGA designs. HUNT ENGINEERING provide the FPGA loader tool that uses this interface to load Xilinx generated files into the FPGAs of FPGA based modules.

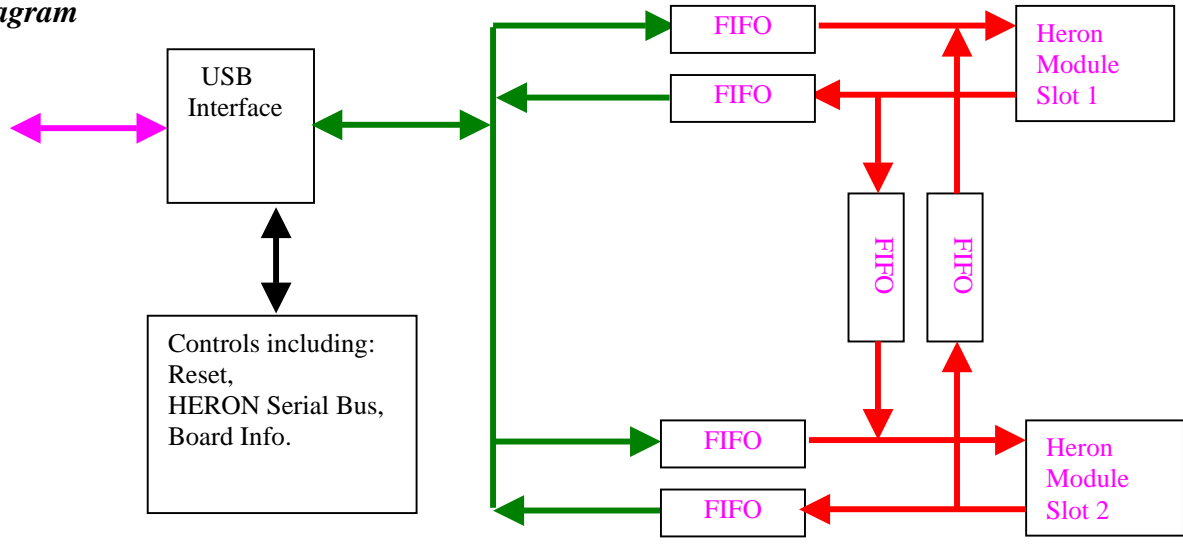
The FIFO connections can be used to stream data to or from a module in the system. They are capable of up to 50Mbytes/second in each direction, but the Host PC, its USB controller and the operating system will all impose their own limits to this speed.

Users of processor-based modules can use the HUNT ENGINEERING server/loader tool to download their programs to those processor modules via the FIFO connections.

There is no direct JTAG support provided by the HERON-BASE2 so users of FPGA modules will also require a Xilinx JTAG cable (Parallel or USB) and users of TI DSP modules will require an external Emulator card in order to run the Code Composer development system.

“Find your system solution at www.hunteng.co.uk”

Block Diagram



Technical Specification	Software	Ordering Information
<p>Module Slots: Two with 3.3V signalling</p> <p>Host Bus: USB 2.0</p> <p>Maximum Dimensions: 160mm x 110mm. Height dependent on the modules fitted.</p> <p>Power requirements: 5V Max: 1.5A plus modules Typ: 1.1A plus modules</p> <p>4A Mains PSU included with the HERON-BASE2. Country specific IEC input lead required and not included.</p> <p>I/O bandwidth: USB 50Mbytes/second dependent on host PC and USB configuration.</p>	<p>HUNT ENGINEERING Host API included free of charge. Win2K and WinXP supported. Linux support is planned. Specific tools may be required for the modules fitted to the HERON-BASE2</p> <p>Applications These fast FPGAs can be used for DSP processing tasks at very high clock rates. Alternatively the HERON-FPGA12 can be used to provide custom digital I/O perhaps combined with signal generation, storage and pre-processing.</p> <p>Related Products HERON-FPGA modules HEPC9 – PCI Heron Module carrier HERON-IO series HEGD series I/O modules</p>	<p>HERON-BASE2</p> <ul style="list-style-type: none"> - includes USB 2 certified cable - includes 20W mains PSU (needs IEC lead – not included)

HUNT ENGINEERING acknowledges all Trademarks used in this document. This document does not form part of a contract, HUNT ENGINEERING reserves the right to change product specifications without notice and to refuse to supply any item detailed on this data sheet
E&OE.

V1.0
Rev 1.0

Distributor details: